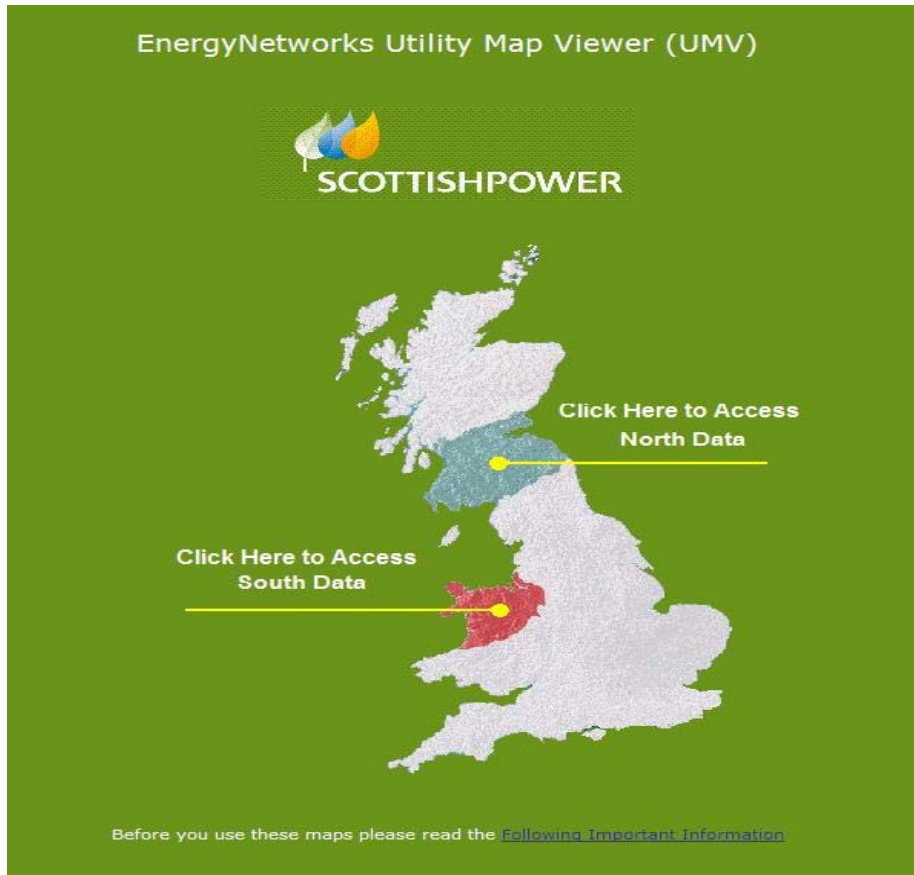


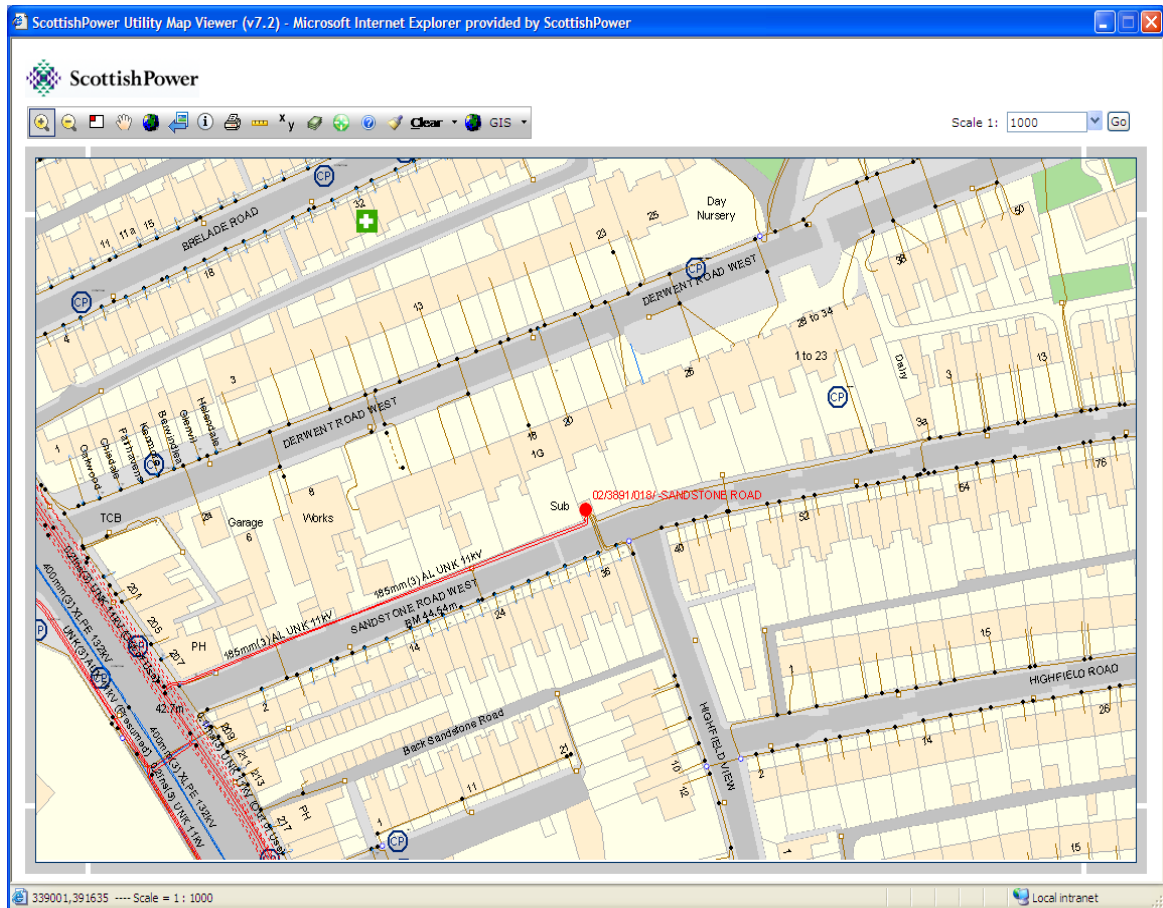
Utility Map Viewer




*Energy Networks **UMV** Desktop Mapping System Introduction*

Functionality

UMV provides a map window displaying the network we have present for a particular area.



Specific areas of interest can be found using either the street gazetteer or by entering


Ordnance Survey grid co-ordinates within the locator hub. 

The vast majority of our network has now been digitally captured and is viewed against the Ordnance Survey MasterMap background.

UMV is comprised primarily of vector (intelligent) data and some raster (dumb) data.

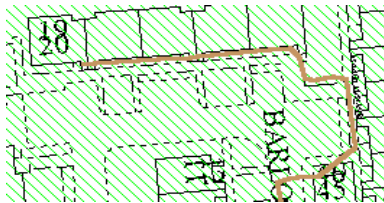
Vector (Digital) Information

Vectors are objects that depict Scottish Power electrical networks, associated plant and other items of importance wherever relevant. They are colour coded to indicate voltage levels i.e.:

LV	
HV	
EHV	
132/275Kv	
Duct	

Each vector object has additional information attributed to it, though due to security reasons the version of UMV provided to external users is restricted in this respect. All vector objects present for any given area are on by default at scales 1:2500 and below. At scales of 1:2500 and above users will notice a “de cluttering” of the map kick in, e.g. LV underground cables will turn off beyond 1:2500. At scales above 1:7500 all underground cables will switch off as will Mastermap and users will see only OH Lines against a Landranger map background.

In some areas (South) data may be enclosed within hatched boxes as per the example below. These will be areas where no up to date O.S. background was present at the time of data capture and therefore the data will have been plotted against a scanned builders' plan (Intermediate raster) for the area.



Please be aware that a line may indicate the presence of more than one cable and that all cable locations should be treated as approximate only. Service cables to properties, street lamps etc may **not** be shown or may be inaccurately shown. There may also be other apparatus in the vicinity of any proposed works that is not indicated on the records.

Raster Backgrounds

Rasters are scanned images of Ordnance Survey maps previously held by Scottish Power to record and display the primary Network information. In areas of urbanisation these maps would have been at scales of 1:500 or 1:1250.

Potentially there can be up to three duplicates of any single map, one for each of the recorded voltages i.e.: Low Voltage (**LV**), High Voltage (**HV**) & Extra High Voltage (**EHV**) In Rural areas a single map would have contained all voltages present at a scale of 1:2500. Rasters are items of imagery only; they have no attributed data held about them.

Other titles of raster map series also exist in GIS to assist the user. An example being the **Intermediate** layer. This layer contains developer's plans not yet covered by the Ordnance Survey that will have been scanned onto the system by our Data Management staff.

Intermediate is the only raster layer that is viewable within the GIS layer of UMV. As most of our data is now captured in digital format, all other raster layers where held, are viewable within the Archive layer of UMV (South only).

Toolbar Icons



Zoom in/out;

Allows users to zoom in/out of the area being viewed.



Map Overview;

Gives users a map overview window



Move;

Use to navigate around the map.



Full Extent;

Takes users to the full extent of the UK, indicating the Scottish Power Regions – “greyed” areas.



Zoom Previous;

Displays the previous view.



Print;

Provides a dropdown from which users can specify print scales / options etc.



Show Co-Ordinates;

Provides O.S. grid co-ordinates when selected and the map clicked.



Locator Hub Gazetteer;


















Provides access to the street gazetteer / O.S. co-ordinate search

















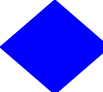


Layer access;

Allows users to switch between GIS (Digital) and Archive (Raster) layers.

Key to common vector symbols used within GIS / UMV

LV Cable	
LV Cable Disconnected	
LV Overhead Line	
HV (11kV) Cable	
HV (11kV) Cable Disconnected	
HV Overhead Line	
HV (6.6kV) Cable	
HV (6.6kV) Cable Disconnected	
EHV Cable	
EHV Cable Disconnected	
EHV Overhead Line	
132/275kv	
132/275kv Disconnected	
Pilot/Tele/Auxilliary Cable	
Pilot/Tele/Auxilliary Cable Disconnected	
Cable Duct	
Third Party Pipeline (SP staff only)	

Cable Joint	
Building or Site only Substation	
Grid Substation	
LV Substation	
Primary Substation	
Secondary Substation	
Pole Mounted Primary Substation	
Pole Mounted Secondary Substation	
Single Pole	
H Pole	
LV Switching Point (Linkbox)	
Tower	
Approximation (Precise location of apparatus unknown)	
Assumed Position	
Quality Point (Issue with Data Quality-further info available to user via a note field, SP staff only)	
Clarity Point (Further info on Data available to user via a note field, SP staff only)	
Edge Connector (Placed on the end of a cable when route unknown)	

Service Termination (Metered)



Service Termination (Unmetered)



Medically Sensitive Customer
(SP staff only)



Contact

General **UMV** enquiries: Application Administrator
email: fieldsupportgroup@scottishpower.com